

## Programmable weight indicator for Unifeed mixers Model 710



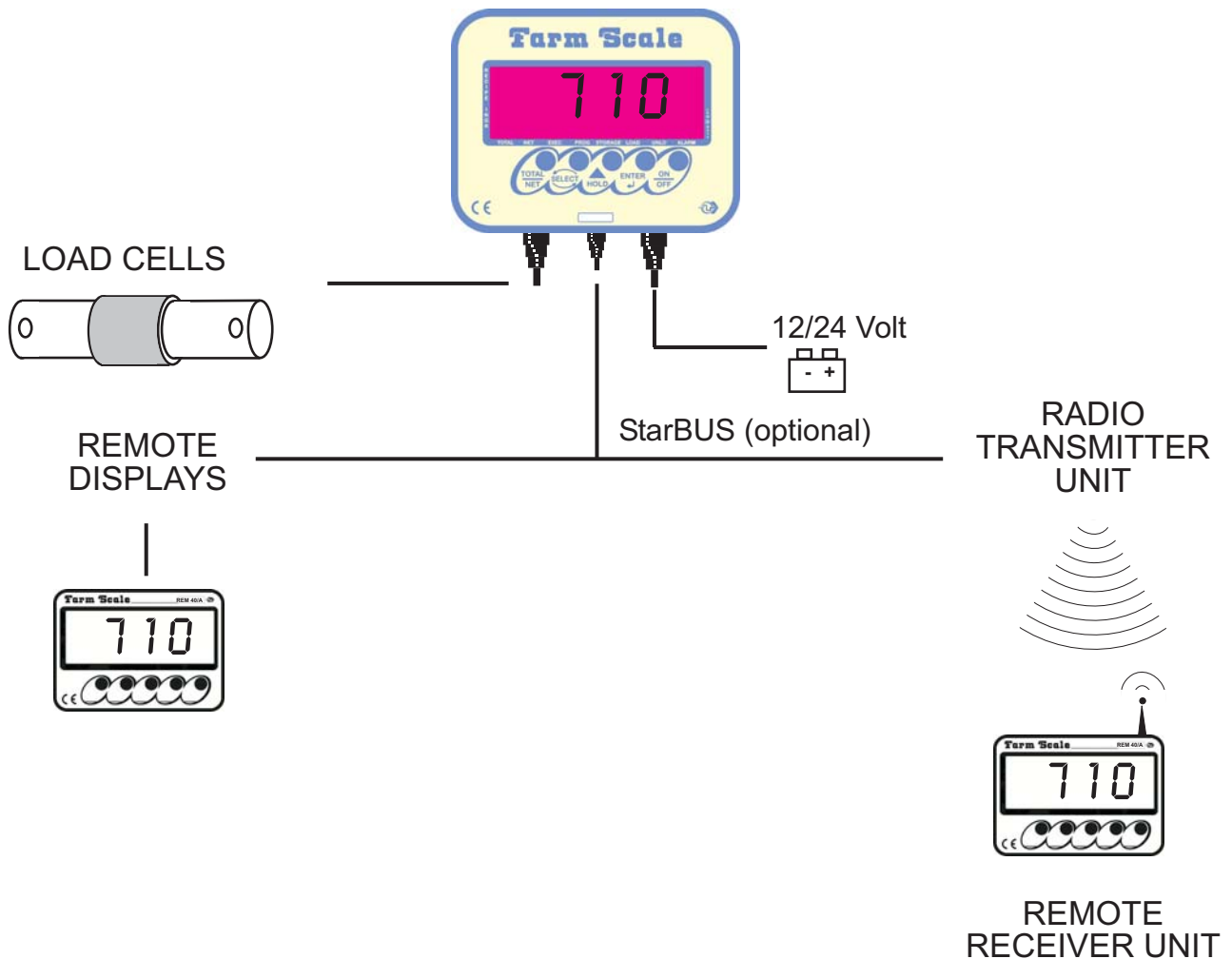
*It can be used on the following systems:*

- *trailed, self-propelled, static mixers*
- *platforms/silos*
- *trucks*
- *other systems with load cells*

### Main characteristics

- Numerical red LED for weight and for recipe/ingredient number
- Wide memory for 20 recipes of 20 ingredients each (programmable in total values or per animal)
- Storage memory
- Display announcers indicating the present operation
- Function keys for a quick recall of operations
- Very good visibility from a distance
- ABS watertight box
- Possibility to connect remote displays to the protocol StarBUS output (if present)
- Associable remote displays: LCD REM/40A numeric black digits h 40 mm  
LED REM/40B numeric red digits h 40 mm  
LED REM 57 numeric red digits h 57 mm  
LED ALFA alphanumeric red digits h 30 mm

# WEIGHT INDICATOR MODEL 710 SYSTEM AND PERIPHERALS REPRESENTATION



## FEATURES

- Power supply 12/24 Volts 0,3 Amp
- Red LED on black screen with 5 digits 38 mm high for the weight value and 4 digits 14 mm high for the ration and ingredient number
- Max resolution 24 bits
- Increment 1 - 2 - 5 - 10 - 20
- Memory for 20 recipes of 20 ingredients each
- Announcers: total/net, execution, programming, storage, loading/unloading, recipe and ingredient number
- Pre-alarm and alarm for each loading/unloading
- Recipes programmable in total values and per animal
- Loading storage function
- Tare, calibration, increment and battery test are set by keys
- Weight blockage function
- Total can be consulted during loading
- MIL type connectors for power supply and load cells
- Optional StarBus connector to connect remote display both by cable and via radio